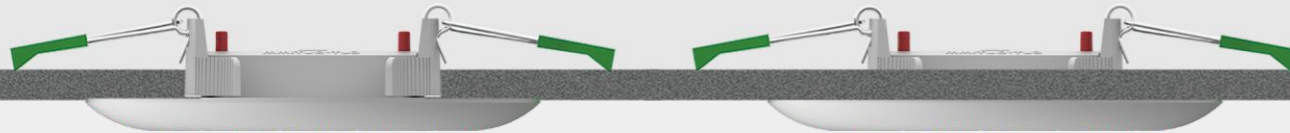
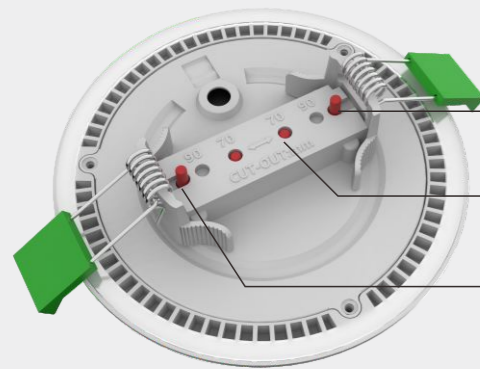


NEW

DL1710



PATENTED CUTOUT REGULATOR



Press the button to change the cutout from 70mm to 90mm

70mm

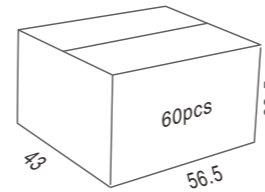
90mm

10W DL1710

- New SMD LED chip
- Dimmable range 3%-100%
- Replacing CFL and halogen downlight applications

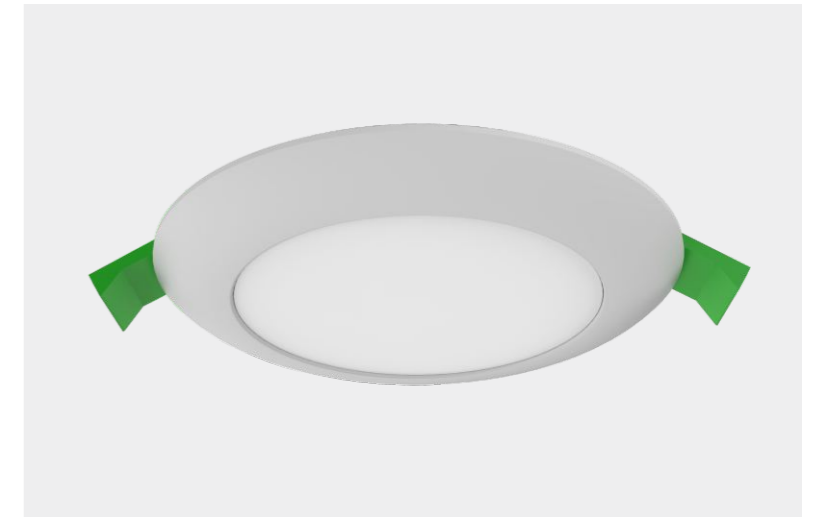
FEATURES

1. Long life, average 50,000Hours
2. Dimmable with trailing edge and universal dimmer
3. High efficiency LED chip and translucent diffuser
4. Anodised aluminum heat sink
5. Easy installation
6. Three year replacement warranty

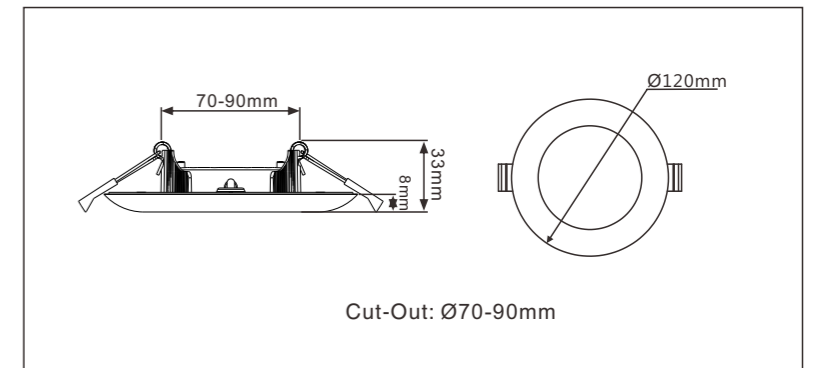


Carton Dimension (cm)

Packaging	L138*W138*H60mm
Carton	60pcs/CTN
Carton Size	L56.5*W43*H32.5cm
Weight	N.W: 18kg G.W: 23kg



Model	DL1710
Voltage	AC200-240V 50/60Hz
LED	SMD LED
Lifespan	>40,000Hrs
Cut-out	Ø70-90mm
Dimension	Ø120*H33mm
Warranty	3 years



Cut-Out: Ø70-90mm

SPECIFICATION

Power	Model	Fitting Color	CRI	Beam Angle	CCT	FLUX	Dimmable
10W	DL1710 WH/WW	White	>80	110°	3000K	700lm	yes
10W	DL1710 WH/NW	White	>80	110°	4000K	750lm	yes
10W	DL1710 WH/DL	White	>80	110°	6000K	850lm	yes