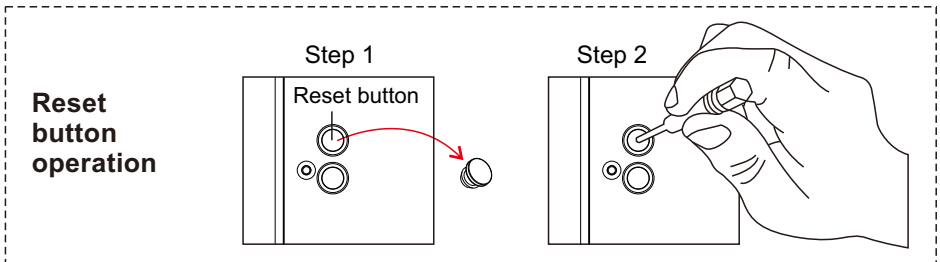
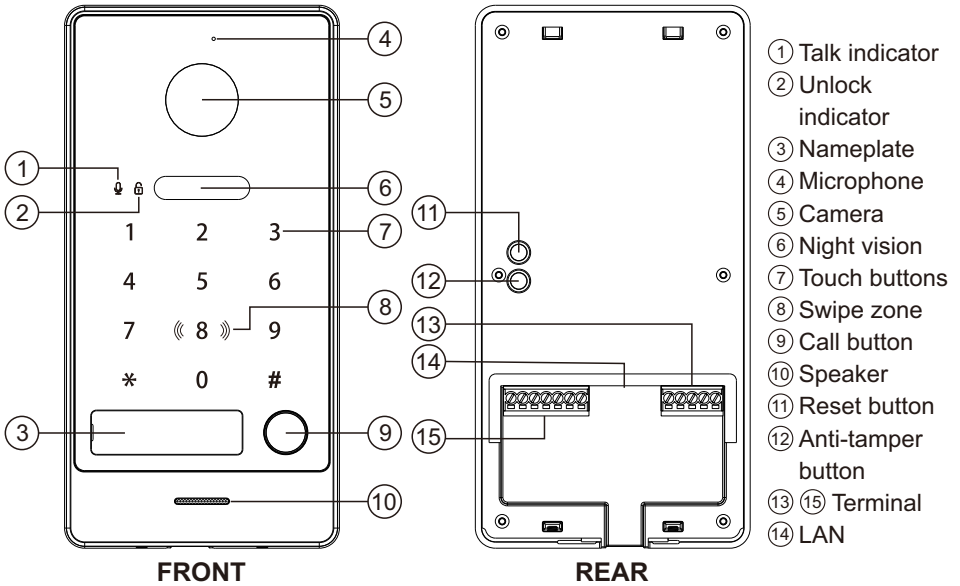


## Appearance

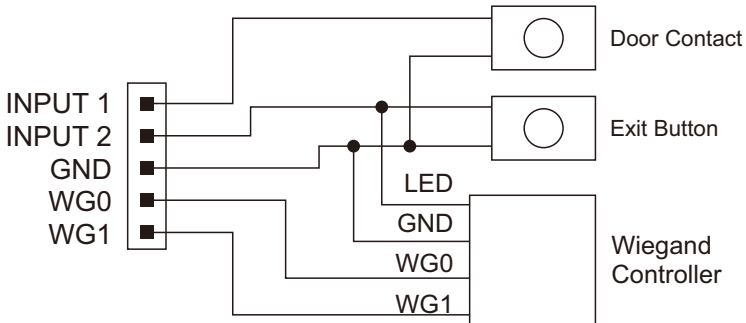
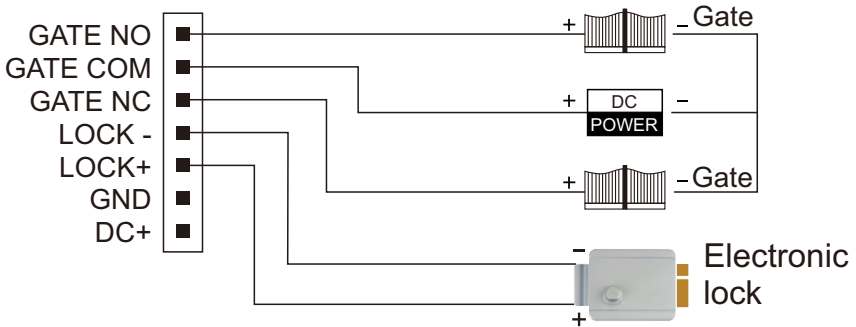


**Note:** To restore factory settings, press and hold the RESET button until the light turns on and a beep is heard.

## Important Notice

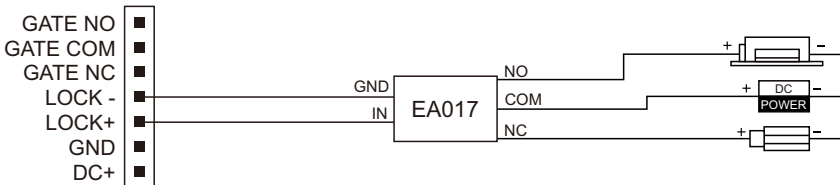
- **Product Updates:** Subject to change without notice.
- **Safety Responsibility:** The company is not liable for accidents caused by improper use.
- **User Guide:** Read this guide carefully (especially safety precautions) and follow the instructions.
- **Reference Only:** In case of discrepancies, the actual product prevails.

## Terminal Definitions

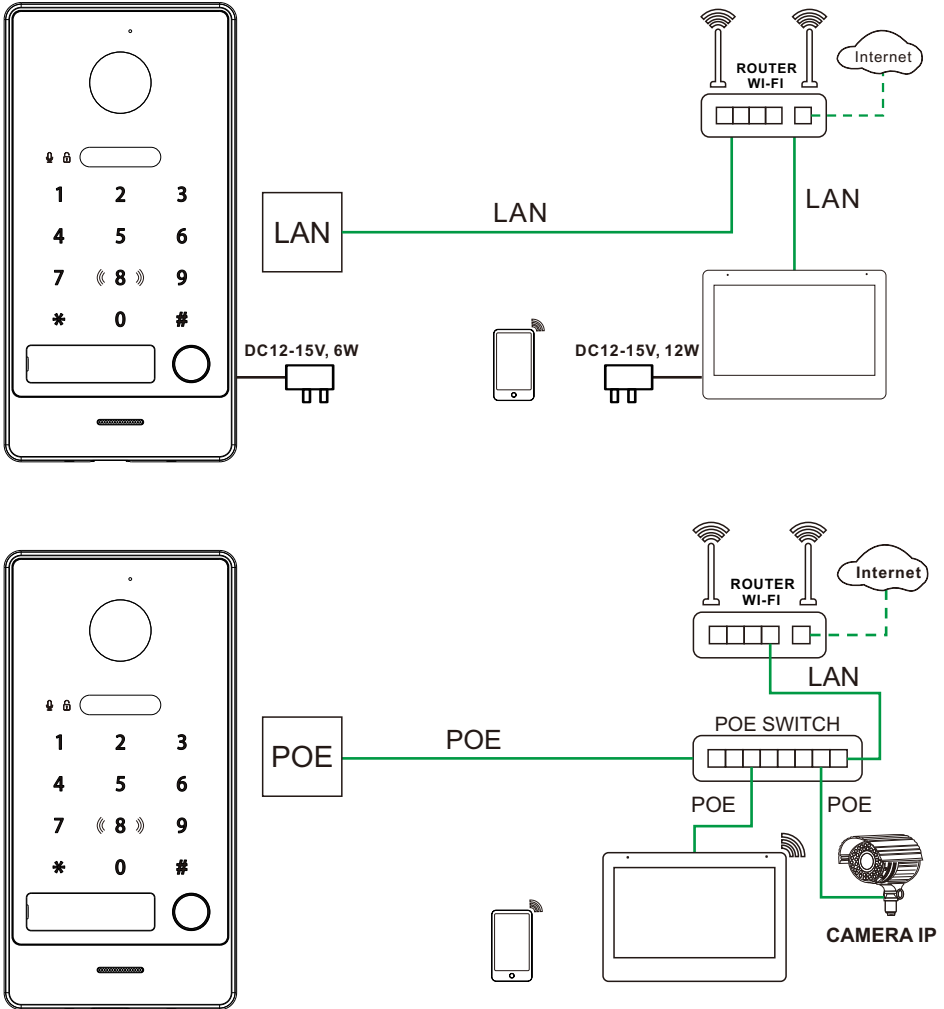


## Important Notice

If the power supply to the lock exceeds 12V/0.7A, it is necessary to connect an external 12V power supply according to the diagram A, or diagram B - in this case.



## Wiring Diagram



- When the monitor and door station are connected, they will automatically link up within 1-2 minutes after power is applied.
- If the connection is not established within 1-2 minutes (and you cannot make a call), verify the connections. If necessary, perform a RESET on both the door station and the monitor to re-establish the connection.

## Card Management

### IMPORTANT

- After powering on the door station for the first time, press the “RESET” button briefly.
- The button light will blink, and the speaker will beep.
- Swipe an RFID card to authorize it as the master card (a beep confirms success).
- The master card cannot unlock the door but is required for adding or removing user cards. Keep it safe.

### User Card Registration

- Swipe the master card once.
- Swipe an RFID card to register it as a user card (a beep confirms success).
- Continue swiping additional RFID cards to register more user cards.
- Swipe a registered user card again to exit setup mode.

### Deleting Master and User Cards

#### a. Delete All Cards Using Master Card

- Swipe the master card 4 times in a row.
- All user cards and the master card will be deleted.
- The button backlight will blink, and the speaker will beep continuously.

#### b. Delete All Cards Without Master Card

- If the master card is lost, press the “RESET” button on the rear side.
- This will delete the master card and all user cards.

### Notes

- You can register up to 1000 user cards.
- The card reading distance is less than 2cm.
- The door station exits setup mode automatically after 30 seconds of inactivity.
- Swiping an unregistered card will result in two beeps, and the lock will not open.

## Password Operation

### Default Passwords

- Management Password: 000000
- Unlock Password: 123456.

### Changing the Settings Password

- **Access Settings:** Enter \* [Current Management Password] #.
- **Indicator Lights:** Verify that the talk and unlock lights flash continuously.
- **Enter New Password:** Input \* [New Management Password] # twice. A confirmation tone will sound if successful.
- **Error Handling:** If an error tone sounds, re-enter \* [New Management Password] # twice.

- **Password Length:** Passwords must be 1 to 6 digits. Longer entries will be ignored.
- **Exit Settings:** Briefly press \* or wait 30 seconds for automatic exit.

## Single-Password Mode

### Changing the Unlock Code

- **Access Setup Mode:** Enter \* [Management Password] #.
- **Indicator Lights:** Ensure the talk and unlock lights flash continuously.
- **Enter New Code:** Input the new unlock code followed by # twice. A confirmation tone will sound if successful.
- **Error Handling:** If an error tone sounds, re-enter the new unlock code followed by # twice.
- **Code Length:** Unlock codes must be 1 to 6 digits. Longer entries will be ignored.
- **Exit Setup:** Briefly press \* or wait 30 seconds for automatic exit.

## Door and Gate Unlock Instructions

### Door Unlock

- Enter the unlock code followed by the # key.
- When the system is in standby mode, swipe a user card to unlock.

### Gate Unlock

- Enter the unlock code followed by the \* key.
- When the system is in standby mode, press \* and swipe a user card to unlock.

## Changing Password-Operation Modes

- **Enter Setup Mode:** Enter \* [Management Password] #.
- **Switch to Multi-Password Mode:** Enter 4+# [New Management Password] # to enable multi-password mode (up to 99 unlock codes).
- **Switch to Single-Password Mode:** Enter 5+# [New Management Password] # to enable single-password mode (only one unlock code).
- **Default Mode:** The system defaults to single-password mode after initial setup or a reset.

### Notes:

- Switching to multi-password mode deletes the single password. Re-register unlock codes for each user.
- Switching to single-password mode deletes all multi-password codes. The default unlock code resets to 123456.

## Multi-Password Mode

### Registering Unlock Codes

- **Access Setup Mode:** Enter \* [Management Password] #.
- **Register Unlock Code:** Enter 1+# [User Number] # [Unlock Code] #. A confirmation tone will sound if successful.
- **User Number Range:** User numbers can be set from 1 to 99. Any other numbers will not be accepted.
- **Code Length:** Unlock codes must be 1 to 6 digits. Longer entries will be ignored.
- **Error Handling:** If an error tone sounds, re-enter the code starting with 1+#.
- **Exit Setup:** Briefly press \* or wait 30 seconds for automatic exit.

## Deleting Unlock Codes

- **Access Setup Mode:** Enter \* [Management Password] #.
- **Delete a Specific Code:** Enter 2+# [User Number] #. A confirmation tone will sound if successful.
- **Delete All Codes:** Enter 3# [Management Password] #. A confirmation tone will sound if all codes are successfully deleted.
- **Exit Setup:** Briefly press \* or wait 30 seconds for automatic exit.

## Door and Gate Unlock Instructions

### Door Unlock

- Enter [User Number] + # + [Unlock Code] + #.
- When the system is in standby mode, swipe a user card to unlock.

### Gate Unlock

- Enter [User Number] + # + [Unlock Code] + \*.
- When the system is in standby mode, press \* and swipe a user card to unlock.

## Wiegand Controller Instructions

The door station functions as a Wiegand card reader. Lock control is managed by the Wiegand manager device.

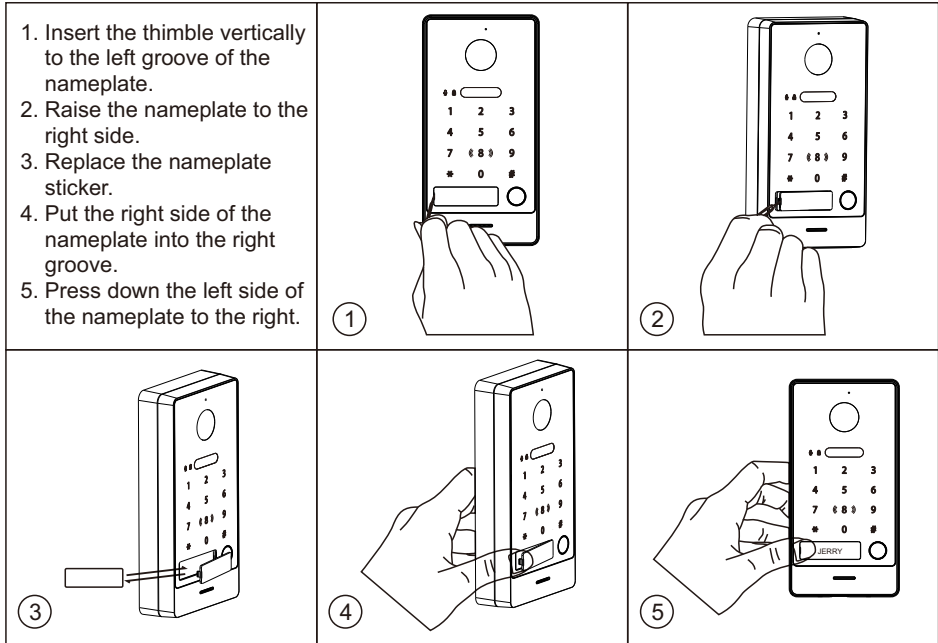
### Card Registration for First Use

- A continuous buzzer will sound.
- Swipe any registered Wiegand card on the door station.
- Upon hearing a beep, the card is successfully registered.
- Wait 30 seconds for the system to exit card reading mode.

### Notes:

- To enable app or indoor monitor unlocking, register a card on the Wiegand manager device as a management card. This card cannot function as a user card.
- If the door station has registered a management card before connecting to the Wiegand manager device, reset the door station and repeat the registration process.

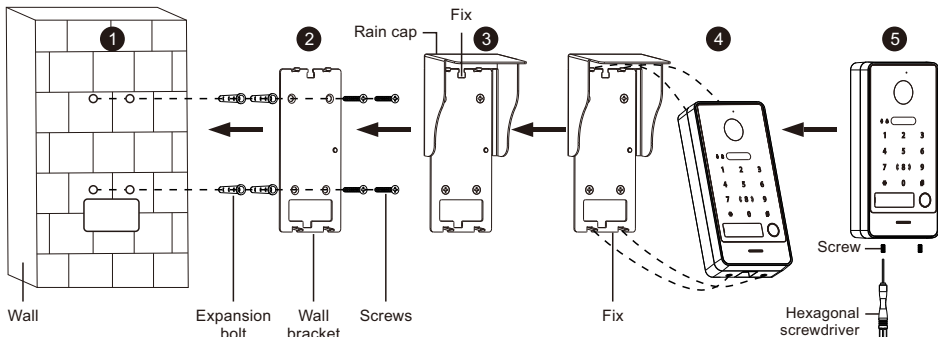
## Placing the Name Plate



## Installation Guide

1. Drill screw and cable holes according to the wall bracket.
2. Secure the wall bracket on the wall with 4 supplied screws according to the screw holes.
3. The rain cover is placed in the upper end of the wall bracket.
4. Install the door station to the wall bracket.
5. Fix the device on the wall bracket with the set screw.

**Remark:** Apply silica gel to gaps between the device and the wall. Liquid sodium silicate is recommended.



## Main Specifications

Apartment	1
Angle of view	125° / 150° (Optional)
Video compression standard	H.265 (default), H.264
Night vision	Smart IR
Network	10M / 100M adaptive belt POE
Gate	NO/NC (MAX AC/DC30V 4A)
Output unlocking	NO: MAX DC12V 160mA (Transient current: 700mA-40ms)
Wiegand 26/34 output	Set via an indoor monitor
Tamper alarm	Support
RFID	125KHZ/Em marine/Supports ISO/IEC 18000-2 type A (ID) (Optional)
	13.56MHZ/Mifare/Supports ISO/IEC 14443 type A 106kb/s (IC) (Optional)
	Number of user cards supported: 1000
	Card reading distance: ≤2cm
Protection grade	IK07; IP65
Power supply	POE IEEE 802.3AF / DC12-15V, 6W
Working temperature	-30°C to +60°C (-22°F to +140°F)
Working humidity	10%RH – 90%RH (non-condensing)